



PARTS MANUAL

LOAD KING

16'-18' DUMP BODIES

REV C

JULY 23, 2019

TABLE OF CONTENTS

REVISION CONTENT.....	4
INTRODUCTION.....	5
DEFINITIONS USED IN THIS MANUAL.....	6
SAFETY WARNINGS.....	6
LOAD KING DUMP BODY LABELS.....	7
LOAD KING DUMP BODY LABEL LOCATIONS.....	9
ASSEMBLY: DUMP BODY KIT.....	10
DMP00086, TAILGATE LATCH CYLINDER.....	12
DMP00503, KICKSTAND.....	12
DMP00504, CAB GUARD ASSEMBLY.....	12
DMP01245, CRADLE MOUNT.....	13
DMP00506, FRONT CRADLE MOUNT.....	14
DMP00507, REAR HINGE ASSY.....	14
DMP00300, FOLDING LADDER ASSEMBLY.....	15
DMP00511, BOTTOM LATCH ASSY.....	16
DMP00514, KICKSTAND LOWER MNT ASSY.....	16
DMP01024, BOLSTER BOTTOM COVER.....	16
DMP00549, CLEVIS ROD END.....	16
DMP00558, 1/2"-13 THREADED ROD - 6" LNG.....	16
DMP00568, INNER TAILGATE LATCH.....	17
DMP01865/DMP01866, TAILGATE LATCH PIN.....	17
DMP00585, HIGH LIFT CYLINDER.....	17
DMP00586, STEEL BALL JOINT.....	17
DMP00612/DMP01891, LIFT CYLINDER.....	18

TABLE OF CONTENTS

DMP00615, RUBBER STOP	18
DMP00647, FRONT SHIPPING BRACKET	18
DMP00650, UPPER TRUNNION MNT	18
DMP00680/DMP01062, ASPHALT LIP.....	19
DMP00709-1 HIGH LIFT ASSY RS/ DMP00709-2, HIGH LIFT ASSY CS	19
DMP00985 HIGH LIFT ASSY RH/ DMP00988, HIGH LIFT ASSY LH	20
DMP00767, 16' TARP SYSTEM.....	21
FENDER OPTIONS	23
GRIPSTRUT WALKWAY OPTIONS	24
42" AND 48" SIDE HEIGHT TAILGATE OPTIONS.....	25
54" SIDE HEIGHT TAILGATE OPTIONS.....	26
60" SIDE HEIGHT TAILGATE OPTIONS.....	27
DUMP TRUCK LIGHTING OPTION I	28
DUMP TRUCK LIGHTING OPTION II	29

REVISION HISTORY

NAME	DATE	DESCRIPTION OF CHANGE	REV.
J Haas	7/24/2018	INITIAL RELEASE	A
J Haas	3/6/2019	PARTS UPDATE S/N LKxxDB050 AND LATER	B
J Haas	7/23/2019	18' LIFT CYLINDER UPDATE	C

Company

Load King has been producing quality trailers since 1956. We are located in Elk Point, South Dakota.

Although the trailer industry is an ever-changing environment and we've seen many changes over the years, we have remained committed to the simple philosophy that we will make a reasonable profit through the designing, manufacturing, and marketing of top quality products that we can always be proud to call Load King. We have not, and will not, compromise in this area.

Quality shows in all facets of an operation, from the moment you make your first phone call for a product inquiry to the time you sell your used equipment and realize you've received top dollar on your sale. We continue to strive for excellence in every area and never quit trying to improve. We have earned our reputation believing that quality is value and value sells products.

Through our shared Engineering, Marketing and Sales teams, Load King and Custom Truck One Source bring that tradition of quality and value to another market with the Load King Dump Body.


About Custom Truck One Source

Beginning in February of 2015, three family-owned and operated companies (Custom Truck & Equipment, Utility Fleet Sales and Forestry Equipment of VA) joined together to form what is now Custom Truck One Source. Shortly after its inception, UCO Equipment became a part of the CTOS family along with TNT Equipment six months later. In December 2015, CTOS welcomed its sixth company under its brand, Load King, a leading manufacturer of high-quality and customizable trailers.

The announcement of the partnership represented the platform's collective commitment to the continued growth and dominance of each legacy company's individual offerings, now compounded to leverage the expertise of the team and, ultimately, better serve loyal CTOS customers all over the world. CTOS will build upon the market positions of each legacy company, while serving as a single source supplier of specialty equipment and services for the utility and heavy equipment industries. The utility and heavy equipment platform collectively offers sales, rentals, parts and after market services, remanufacturing, customized equipment and transportation.


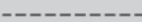


Definitions Used in this Manual

The following table describes text and symbols used to highlight important information.

Signal Word	Symbol	Explanation
WARNING		WARNING IS USED TO ALERT READERS ABOUT THE POTENTIAL FOR SERIOUS INJURY OR DEATH OR SERIOUS DAMAGE TO EQUIPMENT.

Table—1

The following table describes line types in the parts drawings.

LINE FONTS		DESCRIPTION
	SOLID LINE FONT	INDICATES PART OUTLINES IN THE DRAWINGS.
	DASHED LINE FONT	INDICATES HOW TWO OR MORE PARTS ASSEMBLE.
	KEYED BOX/BRACKET	INDICATES PARTS INSIDE OF A SUB ASSEMBLY.
	DASHED KEY	INDICATES PART NOT VISIBLE OR HIDDEN IN VIEW

Table—2

SAFETY WARNINGS



WARNING: All repairs, adjustments and maintenance not described in the Operator’s Manual must be performed by Qualified Service Personnel.



WARNING: Hydraulic system components can contain high pressures of which, if suddenly or unexpectedly released, can cause serious injury or death by direct contact with the pressurized oil or by contact with moving machine components.

LOAD KING DUMP BODY LABELS



1



2

! CAUTION
<ul style="list-style-type: none"> • DO NOT operate this equipment until you have been properly trained in its operation. • When vehicle is in transit, the hoist control valve MUST BE kept in neutral and the PTO disengaged. • Tailgate controls MUST BE locked when the vehicle is in transit. • The vehicle MUST BE on level ground before dumping. • DO NOT dump on ground that has been recently excavated or filled without being properly compacted. • Operator MUST REMAIN at the controls during dumping cycle. • Tailgate controls MUST BE released before the front of the body is 2 feet (0.6 m) above the chassis frame. • When operating, DO NOT allow anyone to stand in or move through the area where the hoist operates, or into an area when an upset load might fall. • When the truck is stored or not in use, the body MUST BE in full lowered position, and resting on the chassis or hoist frame. Ignition key SHOULD BE removed to prevent tampering by unauthorized personnel. • Whenever the body is in any elevated or raised position for repairs or adjustments, it MUST BE securely propped or blocked so it can not fall on anyone. • When two props are provided, both props MUST BE USED.

3

LOAD KING DUMP BODY LABELS (Cont.)



4



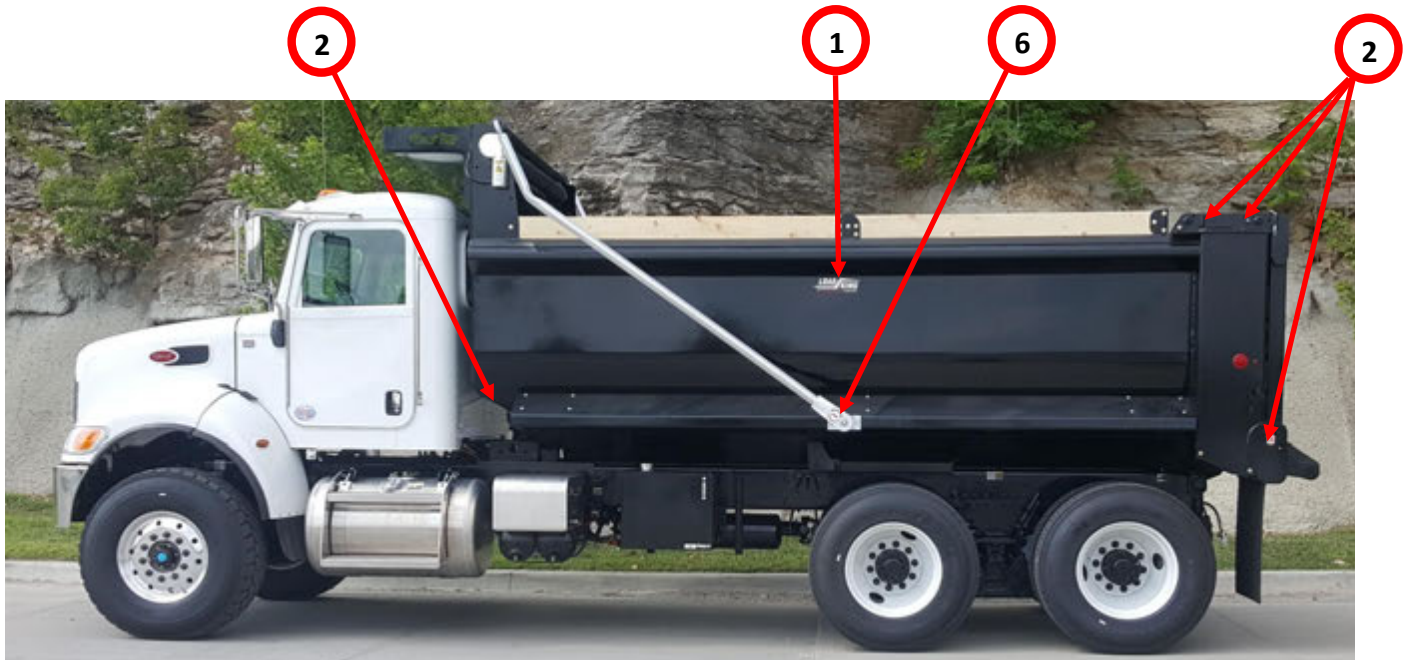
5



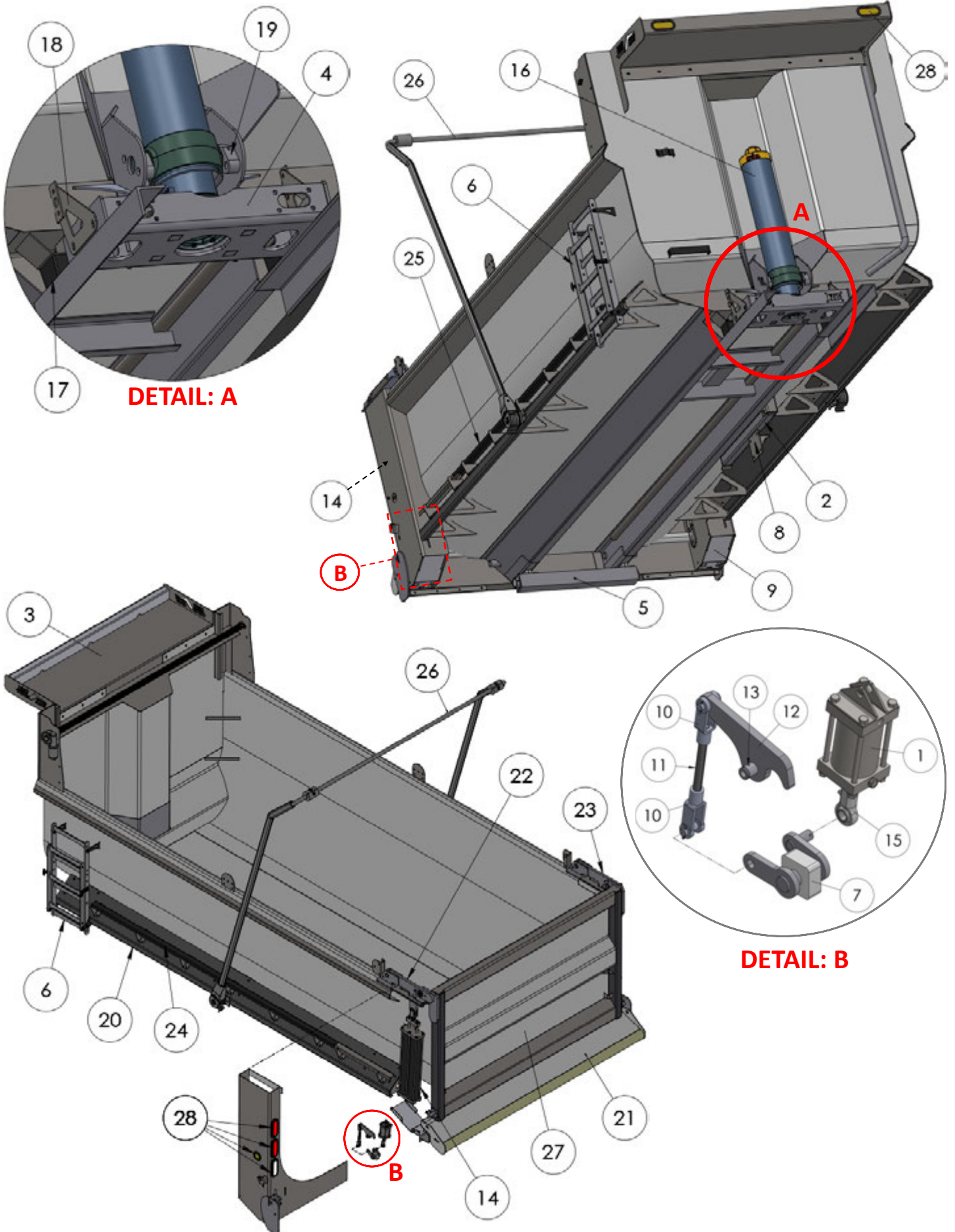
6

ITEM NO.	PART NUMBER	DESCRIPTION	QTY.
1	DMP00194-5	LARGE LOAD KING LOGO DECAL	3
2	DMP00194-4	GREASE POINT DECAL	6
3	DMP00194-2	CAUTION DECAL	1
4	DMP00194-3	CAUTION - PINCH POINT DECAL	2
5	DMP00194-1	DANGER DECAL	2
6	DMP00195-7	CTOS LOGO DECAL	2

LOAD KING DUMP BODY LABEL LOCATIONS



ASSEMBLY: DUMP BODY KIT



ASSEMBLY: DUMP BODY KIT

ITEM NO.	PART NUMBER	DESCRIPTION	QTY.
1	DMP00086	TAILGATE LATCH CYLINDER	2
2	DMP00503*-	KICKSTAND	1
3	DMP00504	CAB GUARD ASSEMBLY	1
4	DMP00506*- DMP01245*+	CRADLE MOUNT	1
5	DMP00507	REAR HINGE ASSY	1
6	DMP00300*	FOLDING AL LADDER ASSEMBLY	1-2
7	DMP00511	BOTTOM LATCH ASSY	2
8	DMP00514*-	KICKSTAND LOWER MNT ASSY	1
9	DMP01024	BOLSTER BOTTOM COVER	2
10	DMP00549	CLEVIS ROD END - 1/2" PIN - 1/2"-13 THRD -	4
11	DMP00558	1/2"-13 THREADED ROD - 6" LNG	2
12	DMP00568	INNER TAILGATE LATCH	2
13	DMP01865*- DMP01866*+	TAILGATE LATCH PIN	2
14	DMP00585	TAILGATE HI-LIFT CYLINDER	2
15	DMP00586	STEEL BALL JOINT	2
16	DMP00612** DMP01891**	SINGLE ACTING TELECOPIIC CYLINDER	1
17	DMP01812	RUBBER STOP - 3" X 4 7/8"	2
18	DMP00647	FRONT SHIPPING PLATES	2
19	DMP00650	UPPER TRUNNION MNT - HYVA - BKMC-002-40T-50T-LK	2
20		SEE FENDER OPTIONS (PG. 22)	2
21	DMP00680*- DMP01062*+	ASPHALT LIP	1
22	DMP00709-1	HIGH LIFT ASSY RS	1
23	DMP00709-2	HIGH LIFT ASSY CS	1
24		SEE GRIPSTRUT WALKWAY OPTIONS (PG. 23)	1
25		SEE GRIPSTRUT WALKWAY OPTIONS (PG. 23)	1
26	DMP00767	16' TARP SYSTEM	1
27		SEE TAILGATE OPTIONS (PG. 24-26)	1
28		SEE DUMP TRUCK LIGHTING OPTIONS (PG. 27-28)	1

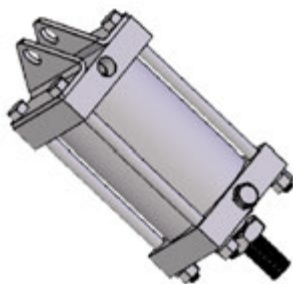
*QUANTITY FOR DMP00300 VARIES

*-- USED ON S/N LKxxDB049 AND EARLIER

*+ USED ON S/N LKxxDB050 AND LATER

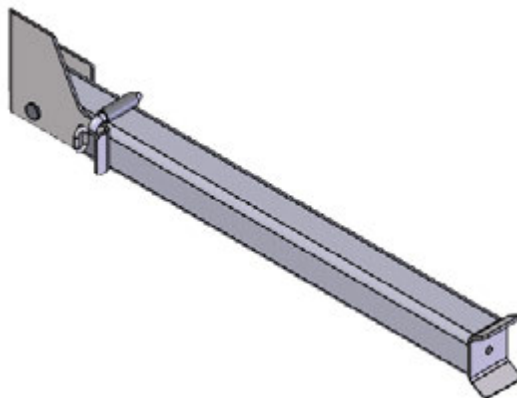
**DMP01891 USED ON 18' DUMP BODIES, DMP00612 USED ON 16' DUMP BODIES

DMP00086, TAILGATE LATCH CYLINDER



PART NUMBER	DESCRIPTION	QTY.
DMP00086	AIR CYL, 2" BORE X 3" STROKE DA TAILGATE LATCH CYLINDER	2

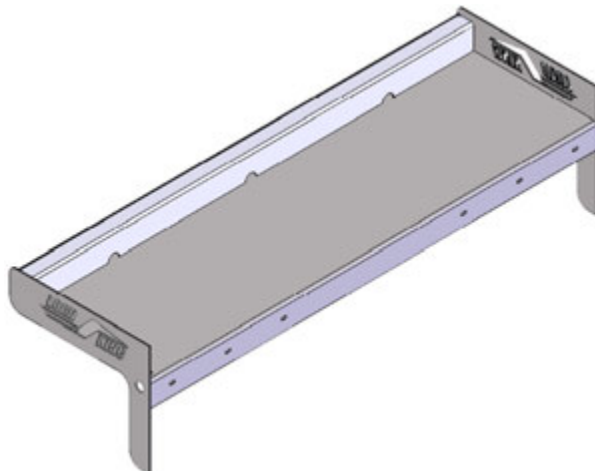
DMP00503, KICKSTAND ASSY - 36"



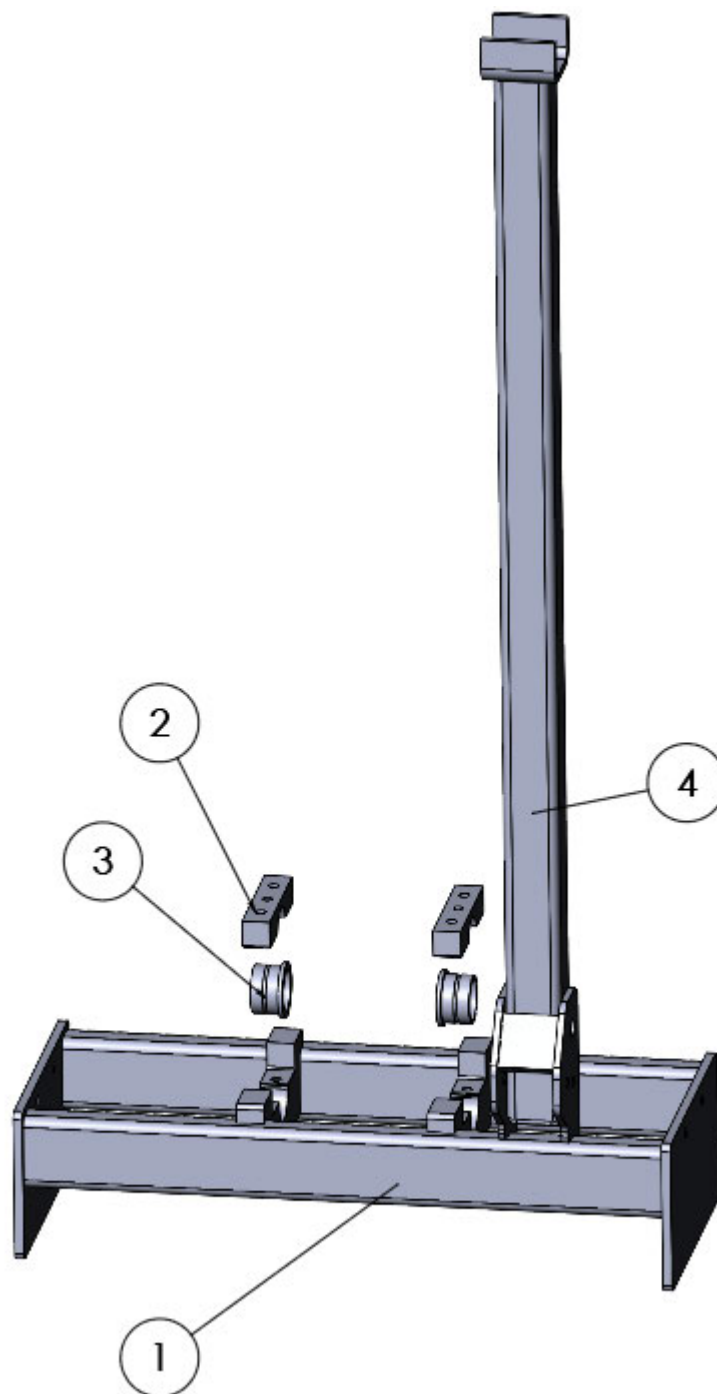
PART NUMBER	DESCRIPTION	QTY.
DMP00503	KICKSTAND ASSY - 36"	1

NOTE: USED ON S/N LKxxDB049 AND EARLIER

DMP00504, CAB GUARD ASSEMBLY



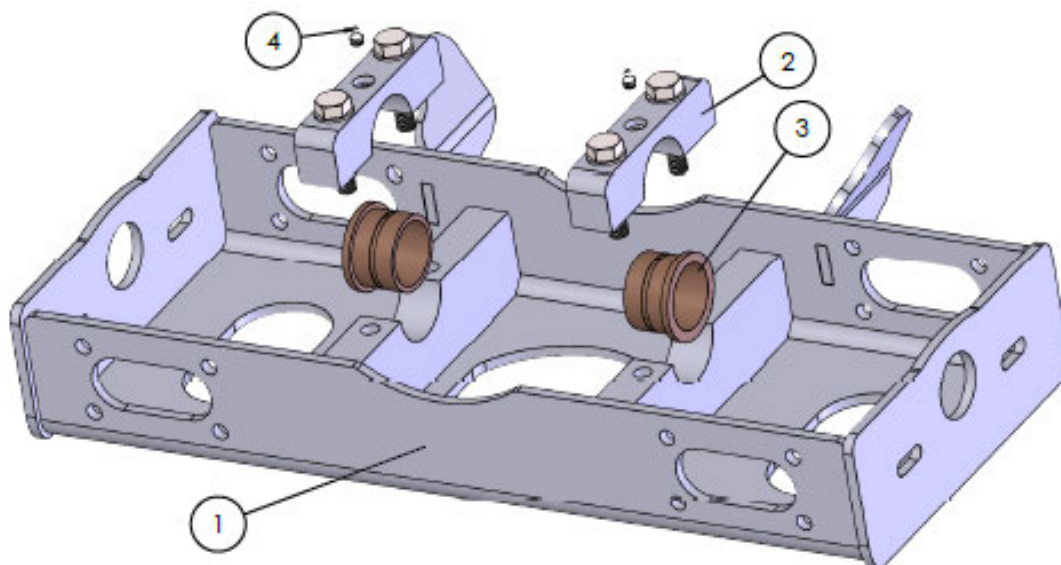
PART NUMBER	DESCRIPTION	QTY.
DMP00504	CAB GUARD ASSEMBLY	1

DMP01245, CRADLE MOUNT

ITEM NO.	PART NUMBER	DESCRIPTION	QTY.
1	DMP01240	CRADLE WELDMENT	1
2	DMP01247	CYL ROD MTG CAP	2
3	DMP00570	BUSHING-2 1/4 ID- GREASE GROOVE	2
4	DMP01250	WELDMENT, KICKSTAND TUBE	1

NOTE: USED ON S/N LKxxDB050 AND LATER

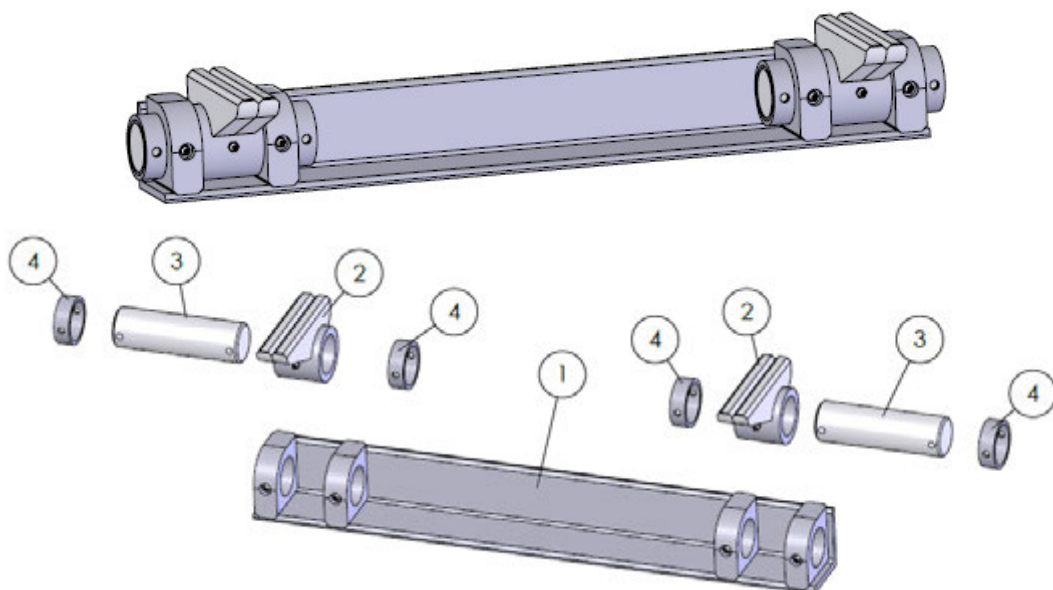
DMP00506, CRADLE MOUNT



ITEM NO.	PART NUMBER	DESCRIPTION	QTY.
1	DMP00506	FRONT CRADLE MOUNT	1
2	DMP00531	TRUNNION BUSHING TOP MNT	2
3	DMP00570	BUSHING-2 1/4 ID- GREASE GROOVE	2
4	DMP00584	GREASE ZERK - 1/8" NPT	2

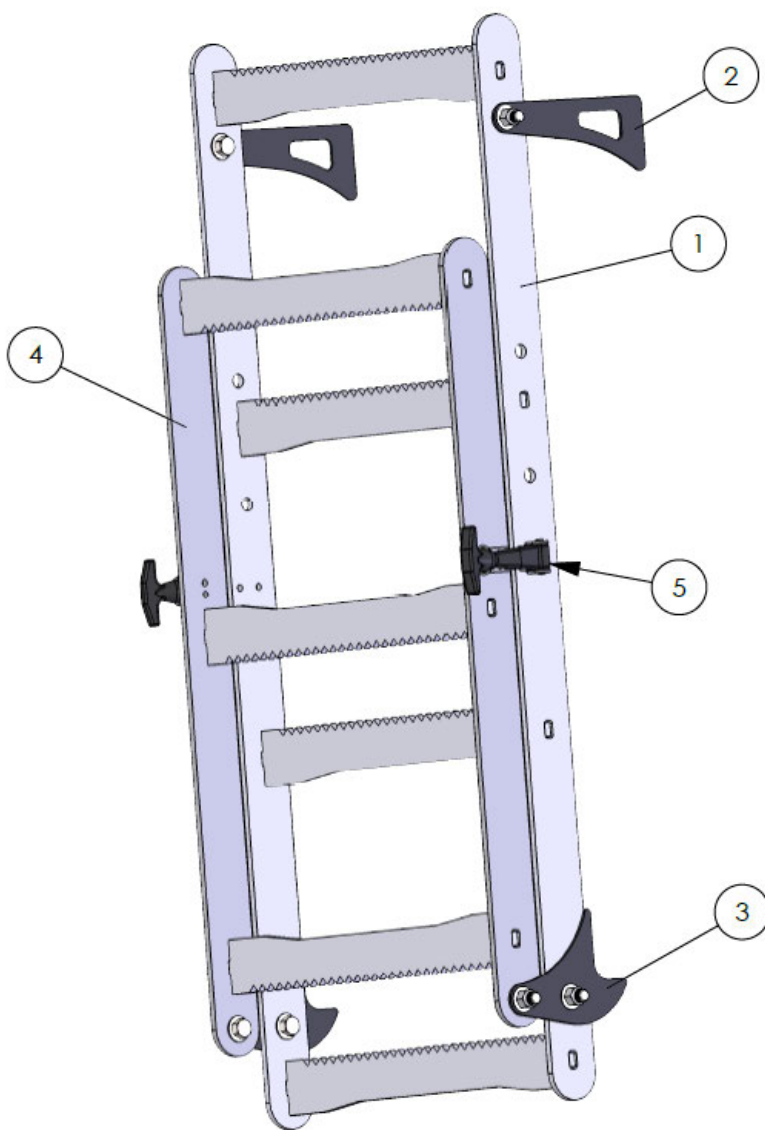
NOTE: USED ON S/N LKxxDB049 AND EARLIER

DMP00507, REAR HINGE ASSY



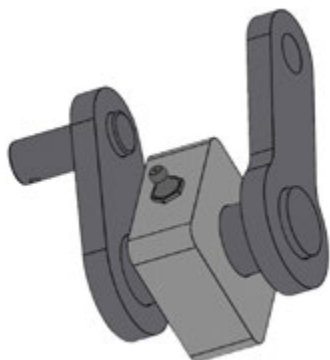
ITEM NO.	PART NUMBER	DESCRIPTION	QTY.
1	DMP00765	ASSY-REAR HINGE BASE AND LUGS	1
2	DMP00766	ASSY-REAR HINGE LUGS AND COLLAR	2
3	DMP00538	REAR HINGE SHAFT	2
4	DMP00530	SHAFT COLLAR - 2 9/16" ID	4

DMP00300, FOLDING LADDER ASSEMBLY



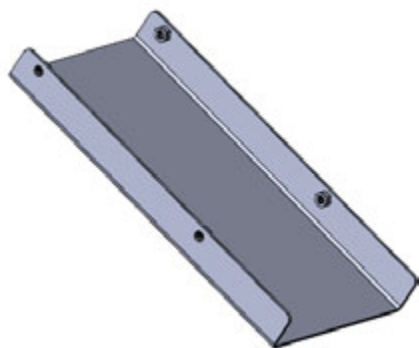
ITEM NO.	PART NUMBER	DESCRIPTION	QTY.
1	DMP00575	UPPER LADDER ASSEMBLY	1
2	DMP00573	UPPER LADDER MNT	2
3	DMP00574	LOWER LADDER MNT	2
4	DMP00576	LOWER LADDER ASSEMBLY	1
5	DMP00594	RUBBER T-HANDLE DRAW LATCH 4 11/16 x 2 7/16	2

DMP00511, BOTTOM LATCH ASSY



PART NUMBER	DESCRIPTION	QTY.
DMP00511	BOTTOM LATCH ASSY	2

DMP001024, BOLSTER BOTTOM PANEL



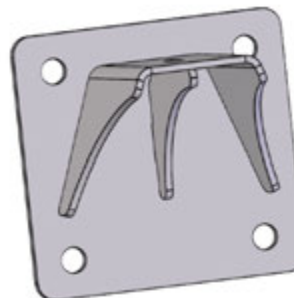
PART NUMBER	DESCRIPTION	QTY.
DMP01024	BOLSTER BOTTOM PANEL	2

DMP00558, 1/2"-13 THREADED ROD - 6" LNG



PART NUMBER	DESCRIPTION	QTY.
DMP00558	1/2"-13 THREADED ROD - 6" LNG	2

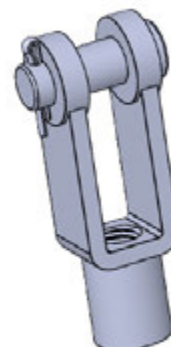
DMP00514, KICKSTAND LOWER MNT ASSY



PART NUMBER	DESCRIPTION	QTY.
DMP00514	KICKSTAND LOWER MNT ASSY	2

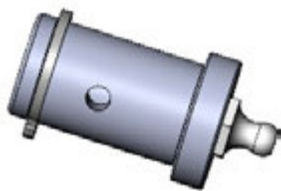
NOTE: USED ON S/N LKxxDB049 AND EARLIER

DMP00549, CLEVIS ROD END



PART NUMBER	DESCRIPTION	QTY.
DMP00549	CLEVIS ROD END - 1/2" PIN - 1/2"-13 THRD -	4

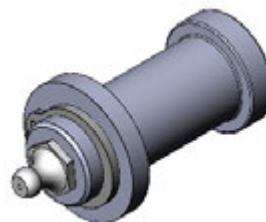
DMP01865, TAILGATE LATCH PIN



PART NUMBER	DESCRIPTION	QTY.
DMP01865	TAILGATE LATCH PIN	2

NOTE: USED ON S/N LKxxDB049 AND EARLIER

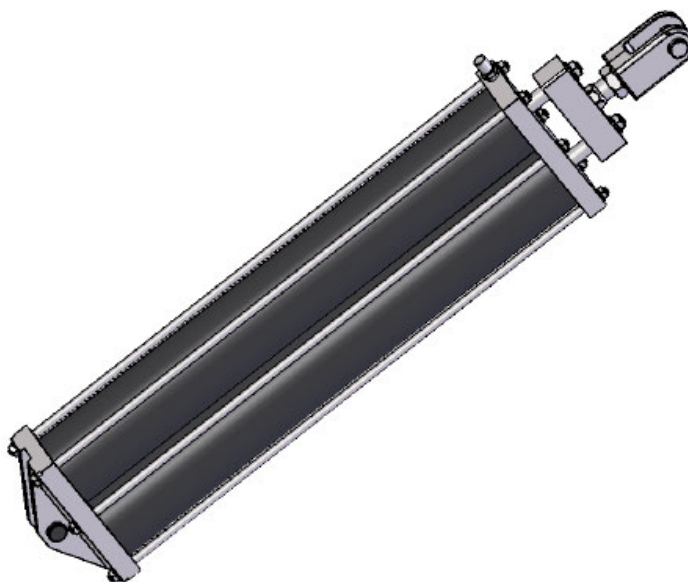
DMP01866, TAILGATE LATCH PIN



PART NUMBER	DESCRIPTION	QTY.
DMP01866	TAILGATE LATCH PIN	2

NOTE: USED ON S/N LKxxDB050 AND LATER

DMP00585, HIGH LIFT CYLINDER



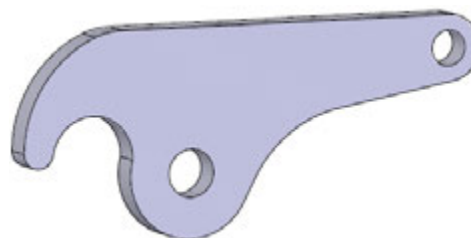
PART NUMBER	DESCRIPTION	QTY.
DMP00585	HIGH LIFT CYLINDER	2

DMP00586, STEEL BALL JOINT



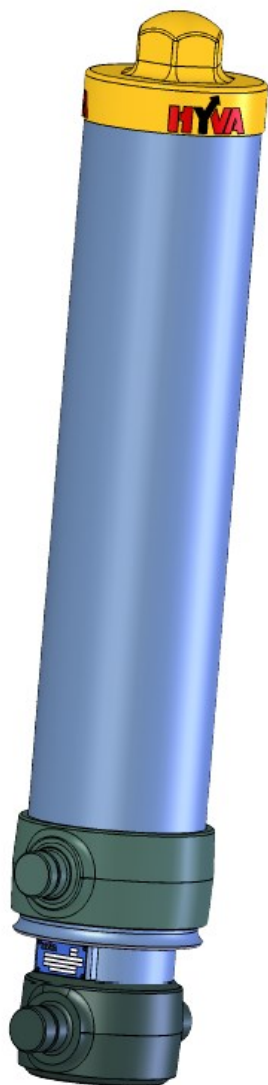
PART NUMBER	DESCRIPTION	QTY.
DMP00586	STEEL BALL JOINT	2

DMP00568, INNER TAILGATE LATCH

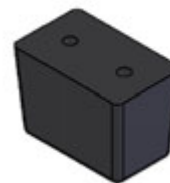


PART NUMBER	DESCRIPTION	QTY.
DMP00568	INNER TAILGTE LATCH	2

DMP00612/DMP01891, LIFT CYLINDER

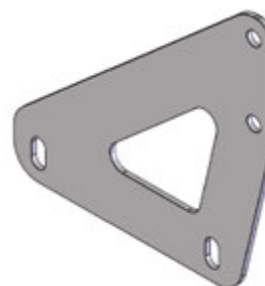


DMP01812, RUBBER STOP



PART NUMBER	DESCRIPTION	QTY.
DMP01812	RUBBER STOP - 3" X 4 7/8"	2

DMP00647, FRONT SHIPPING BRACKET



PART NUMBER	DESCRIPTION	QTY.
DMP00647	FRONT SHIPPING PLATES	2

DMP00650, UPPER TRUNNION MNT



PART NUMBER	DESCRIPTION	QTY.
DMP00650	UPPER TRUNNION MNT - HYVA - BKMC-002-40T-50T-LK	2

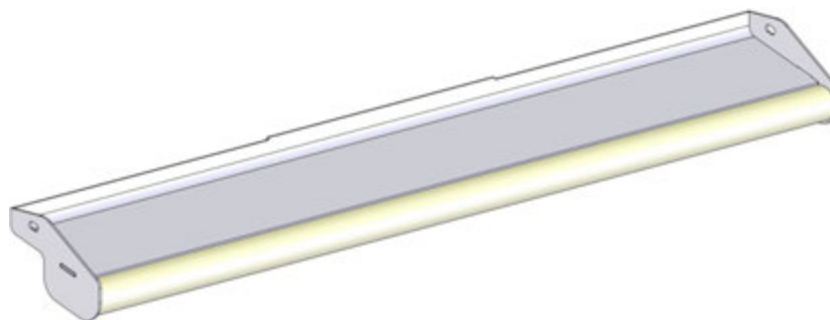
PART NUMBER	DESCRIPTION	QTY.
DMP00612	SINGLE ACTING TELESCOPIC CYLINDER 158" STROKE	1

*USED ON 16' DUMP BODIES

PART NUMBER	DESCRIPTION	QTY.
DMP01891	SINGLE ACTING TELESCOPIC CYLINDER 170" STROKE	1

*USED ON 18' DUMP BODIES

DMP00680/DMP01062, ASPHALT LIP



PART NUMBER	DESCRIPTION	QTY.
DMP00680	ASPHALT LIP ASSY - 12" - ELLIPTICAL DUMP - BOLT ON	1

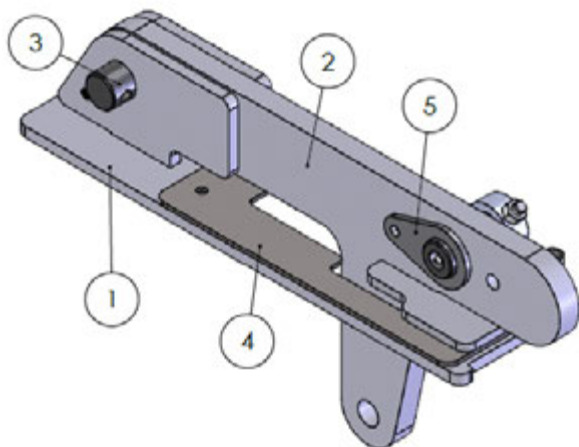
NOTE: USED ON S/N LKxxDB049 AND EARLIER

PART NUMBER	DESCRIPTION	QTY.
DMP01062	WELDMENT, ASPHALT LIP	1

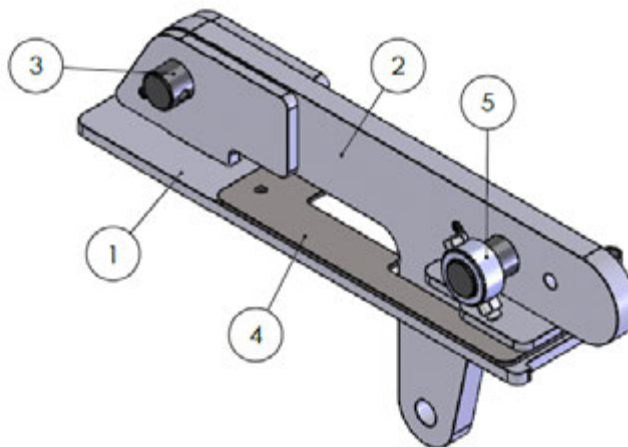
NOTE: USED ON S/N LKxxDB050 AND LATER

DMP00709-1, HIGH LIFT ASSY RS/ DMP00709-2, HIGH LIFT ASSY CS

DMP000709-1



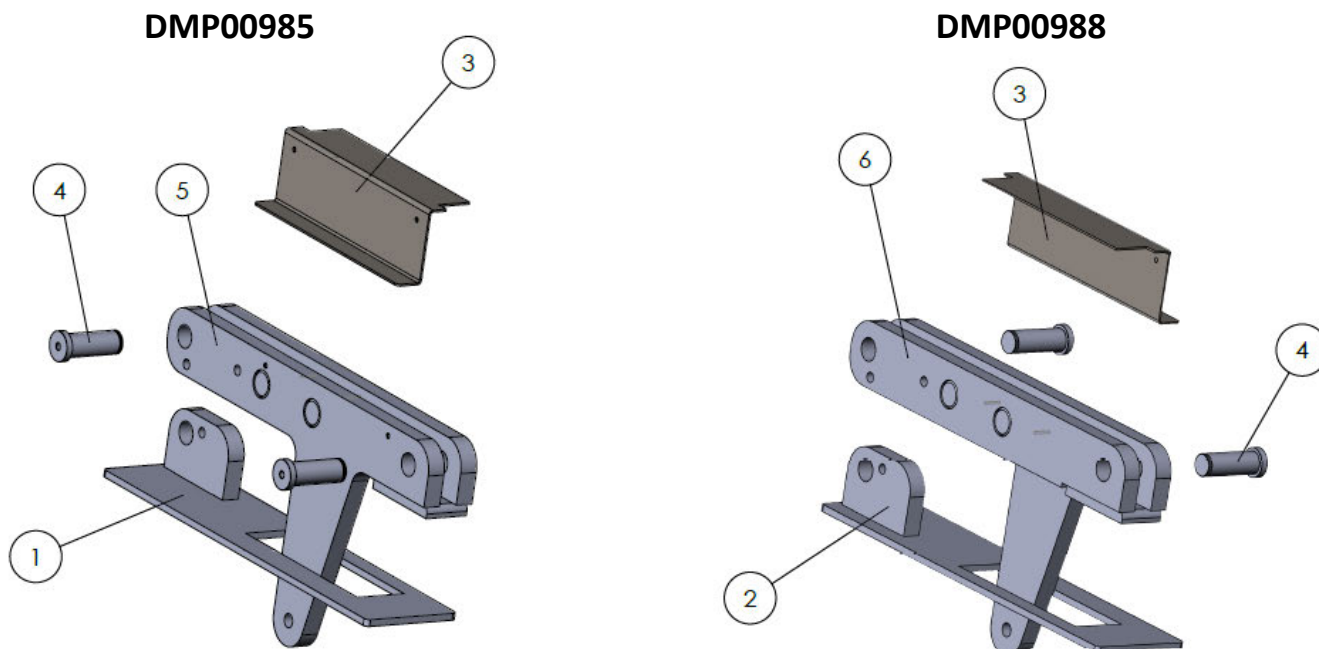
DMP000709-2



ITEM NO.	PART NUMBER	DESCRIPTION	QTY.
1	DMP00778	WELDMENT, LIFT BRACKET	2
2	DMP00781	WELMENT, LIFT ARM	2
3	DMP00764	ASSY - TAILGATE LIFT PIN	2
4	DMP00716	TOP HIGH LIFT COVER PLATE	2
5	DMP01835	HIGHLIFT TAILGATE PIN ASSY	2

NOTE: USED ON S/N LKxxDB049 AND EARLIER

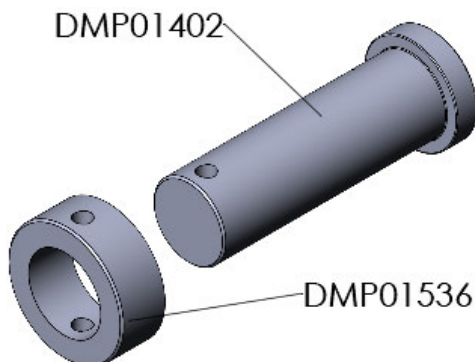
DMP00985, HIGH LIFT ASSY RH/ DMP00988, HIGH LIFT ASSY LH



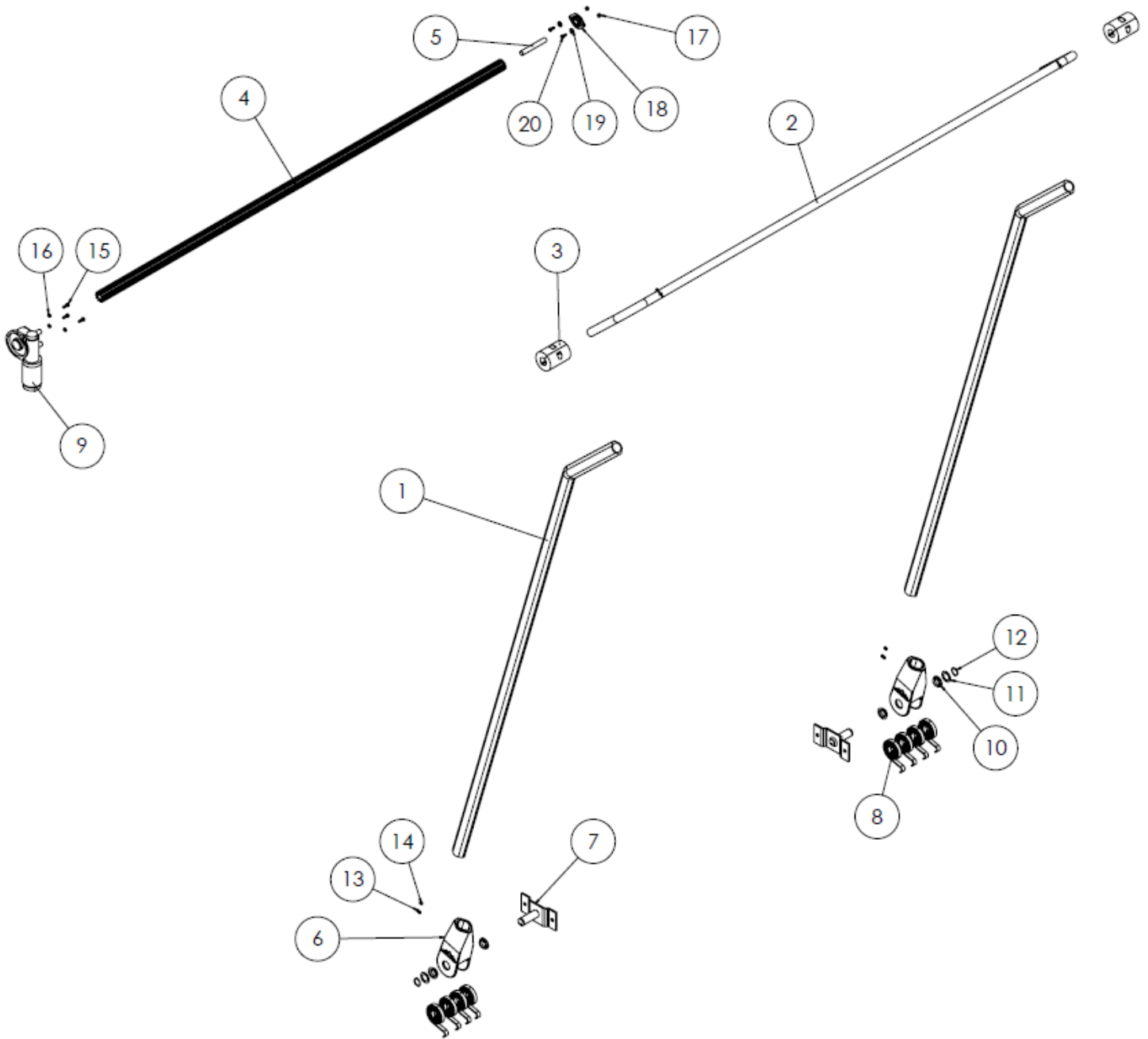
ITEM NO.	PART NUMBER	DESCRIPTION	QTY.
1	DMP00936	WELDMENT, TAILGATE PIVOT ARM, RH	1
2	DMP00937	WELDMENT, TAILGATE PIVOT ARM, LH	1
3	DMP00973	LIFT ARM COVER	1
4	DMP00932*	TAILGATE LATCH PIVOT PIN	2
5	DMP00933	WELDMENT, TAILGATE PIVOT ARM, RH	1
6	DMP00934	WELDMENT, TAILGATE PIVOT ARM, LH	1

NOTE: USED ON S/N LKxxDB050 AND LATER

***NOTE: REPLACE DMP00932 WITH DMP01402 AND DMP01536 (SHOWN BELOW)**



DMP00767, 16' TARP SYSTEM



DMP00767, 16' TARP SYSTEM

ITEM NO.	PART NUMBER	DESCRIPTION	QTY.
1	DMP0044	16FT UPRIGHT	2
2	DMP00441	CROSS MEMBER	1
3	DMP00442	RUBBER IMPACT CUSHION	2
4	DMP00443	TARP SPOOL - OUTER	1
5	DMP00444	TARP SPOOL - INNER	1
6	DMP00445	CLEVIS	2
7	DMP00446	HINGE PIN	2
8	DMP00447	CLOCK SPRING, 1.25" ID X .625"	8
9	DMP00448	MOTOR, 80 RPM, 150 LB-IN TQ	1
10	DMP00449	BUSHING	4
11	DMP00450	WASHER	2
12	DMP00451	SPLIT RING	2
13	DMP00452	SET SCREW	2
14	DMP00453	.375-16 X .5" CSS	2
15	DMP00454	.3125"-18 X .875" HHCS, GR. 8 ZC	3
16	DMP00455	.3125 LOCK WASHER, ZC	3
17	DMP00456	5/16-18" LOCK NUT, ZC	2
18	DMP00457	BEARING, ABF-013, 0.75"	1
19	DMP00458	5/16" FLAT WASHER	2
20	DMP00459	.3125"-18 X 34 HHCS, GR. 8 ZC	2

FENDER OPTIONS



OPTION I, 16FT DUMP BED FENDER

PART NUMBER	DESCRIPTION	QTY.
DMP00626	FENDER FORMING - 16FT TUB - FULL LENGTH BOLT ON	2

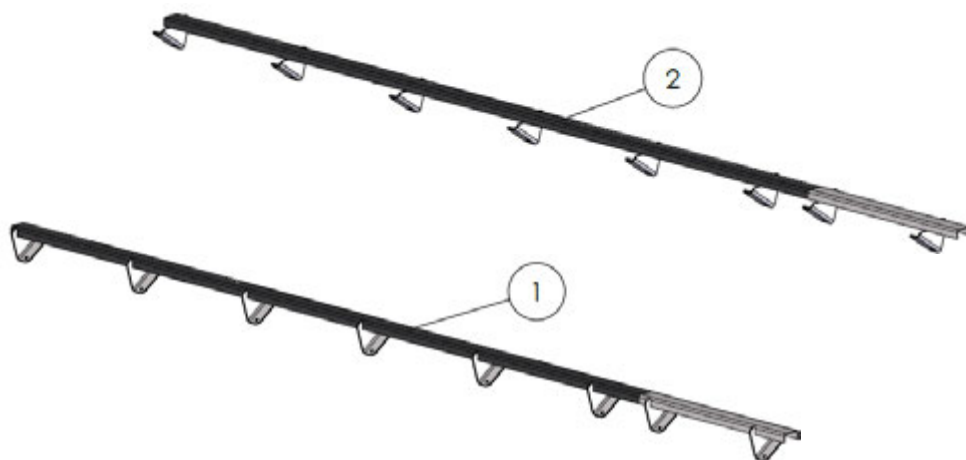
OPTION II, 17FT DUMP BED FENDER

PART NUMBER	DESCRIPTION	QTY.
DMP00658	FENDER FORMING - 17FT TUB - FULL LENGTH BOLT ON	2

OPTION III, 18FT DUMP BED FENDER

PART NUMBER	DESCRIPTION	QTY.
DMP00734	FENDER FORMING - 18FT TUB - FULL LENGTH BOLT ON	2

GRIPSTRUT WALKWAY OPTIONS



OPTION I, 16FT DUMP BED GRIPSTRUT WALKWAY

ITEM NO.	PART NUMBER	DESCRIPTION	QTY.
1	DMP01052	16FT GRIPSTRUT WALKWAY RS	1
2	DMP01053	16FT GRIPSTRUT WALKWAY CS	1

OPTION II, 17FT DUMP BED GRIPSTRUT WALKWAY

ITEM NO.	PART NUMBER	DESCRIPTION	QTY.
1	DMP01878	17FT GRIPSTRUT WALKWAY RS	1
2	DMP01879	17FT GRIPSTRUT WALKWAY CS	1

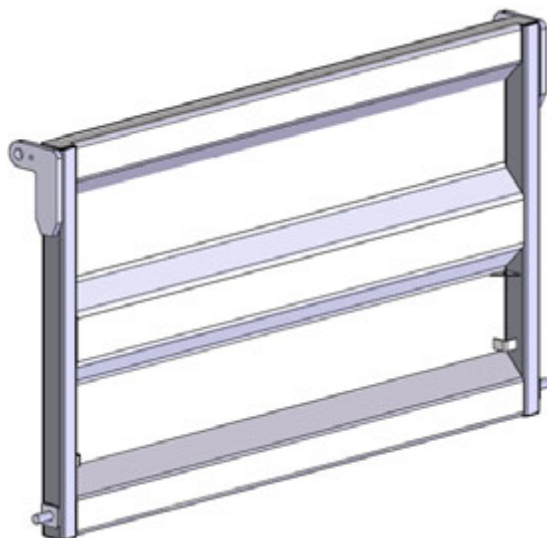
OPTION III, 18FT DUMP BED GRIPSTRUT WALKWAY

ITEM NO.	PART NUMBER	DESCRIPTION	QTY.
1	DMP01880	18FT GRIPSTRUT WALKWAY RS	1
2	DMP01881	18FT GRIPSTRUT WALKWAY CS	1

NOTE: GRIPSTRUT WALKWAYS ONLY INCLUDED IN CERTAIN TRUCK MODELS

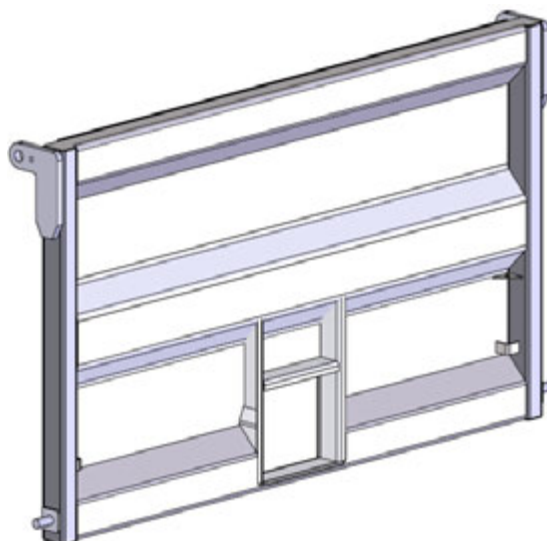
42" AND 48" SIDE HEIGHT TAILGATE OPTIONS

TAILGATE OPTION I, DMP00770



PART NUMBER	DESCRIPTION	QTY.
DMP00770	TAILGATE ASSY 48S - W/O CHUTE	1

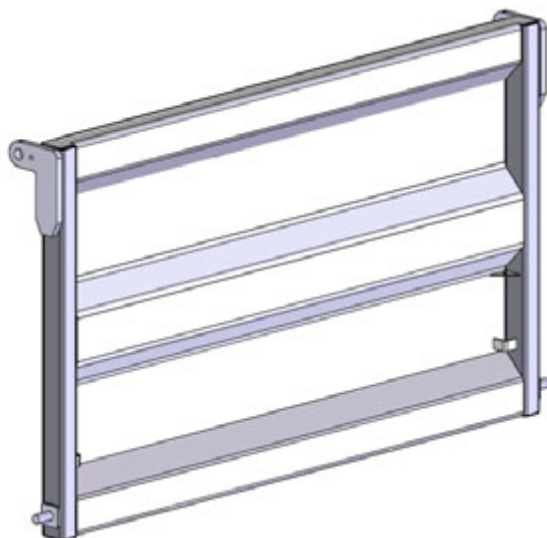
TAILGATE OPTION II, DMP00698



PART NUMBER	DESCRIPTION	QTY.
DMP00698	TAILGATE ASSY 48S - W/ CHUTE	1

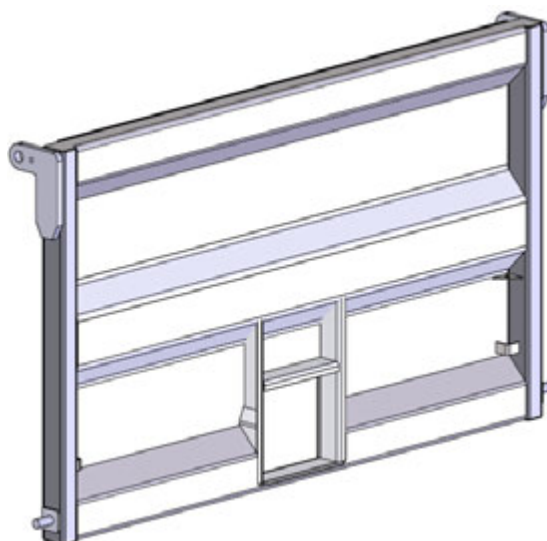
54" SIDE HEIGHT TAILGATE OPTIONS

TAILGATE OPTION I, DMP00920



PART NUMBER	DESCRIPTION	QTY.
DMP00920	WELDMENT, TAILGATE 54S NO CHUTE	1

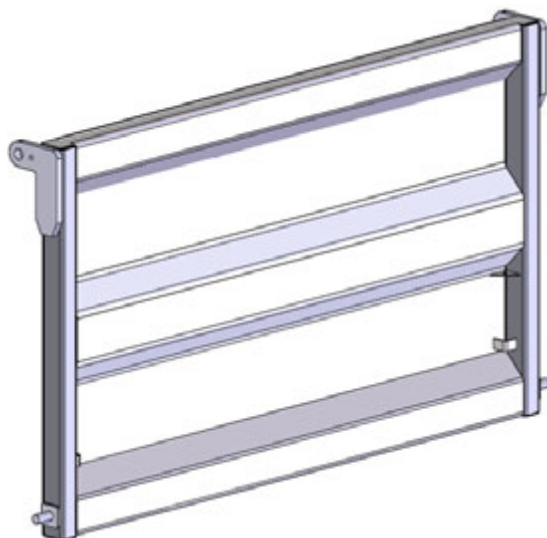
TAILGATE OPTION II, DMP00925



PART NUMBER	DESCRIPTION	QTY.
DMP00925	WELDMENT, TAILGATE W/CHUTE 54S	1

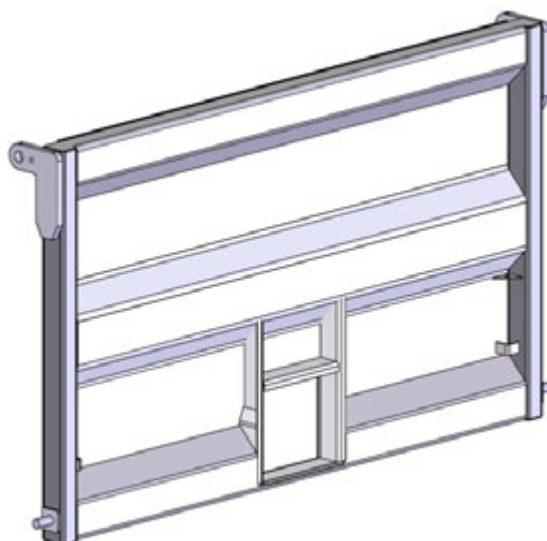
60" SIDE HEIGHT TAILGATE OPTIONS

TAILGATE OPTION I, DMP00790



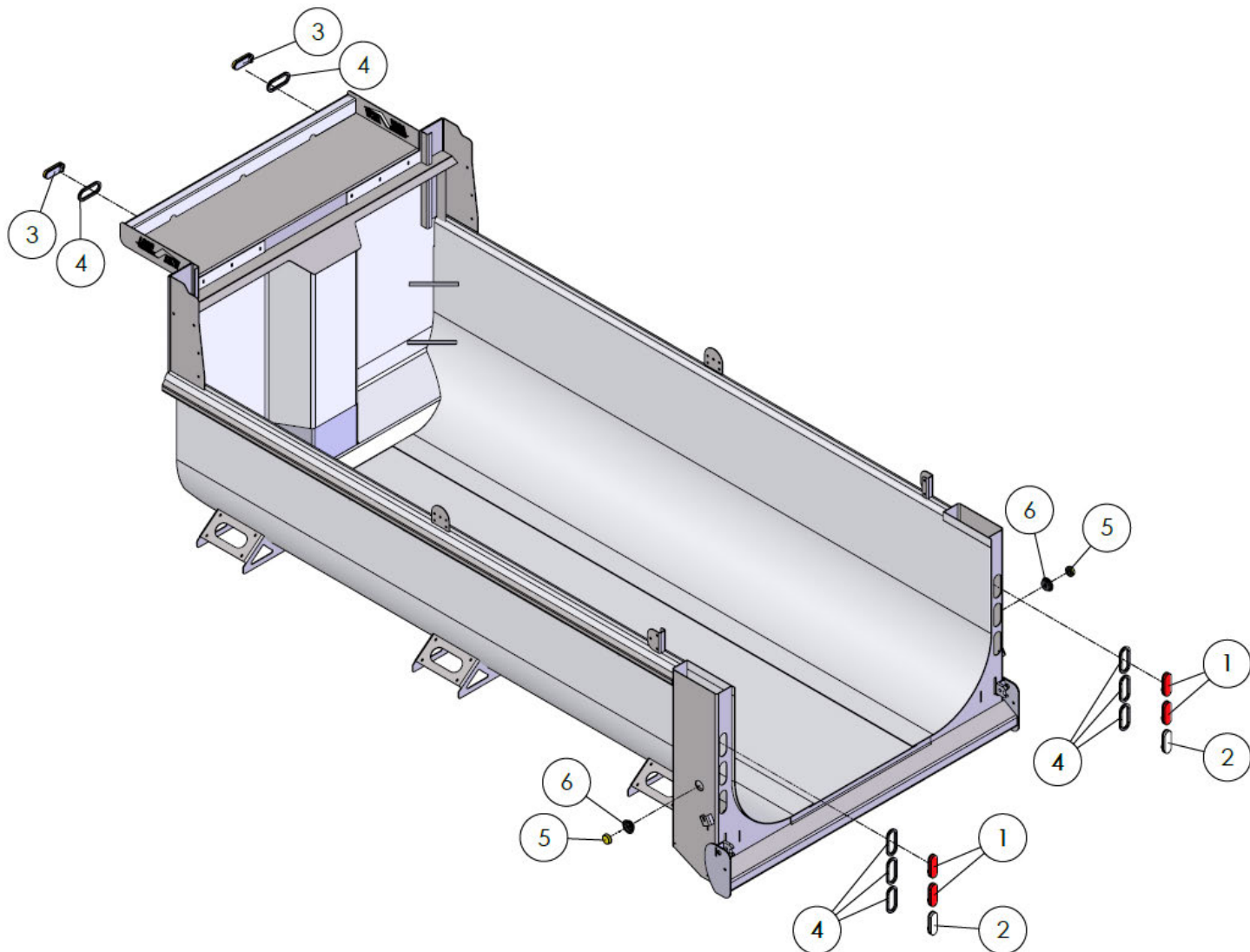
PART NUMBER	DESCRIPTION	QTY.
DMP00790	TAILGATE ASSY - W/O COAL CHUTE - 60" SIDES- 1/4" AR	1

TAILGATE OPTION II, DMP00745



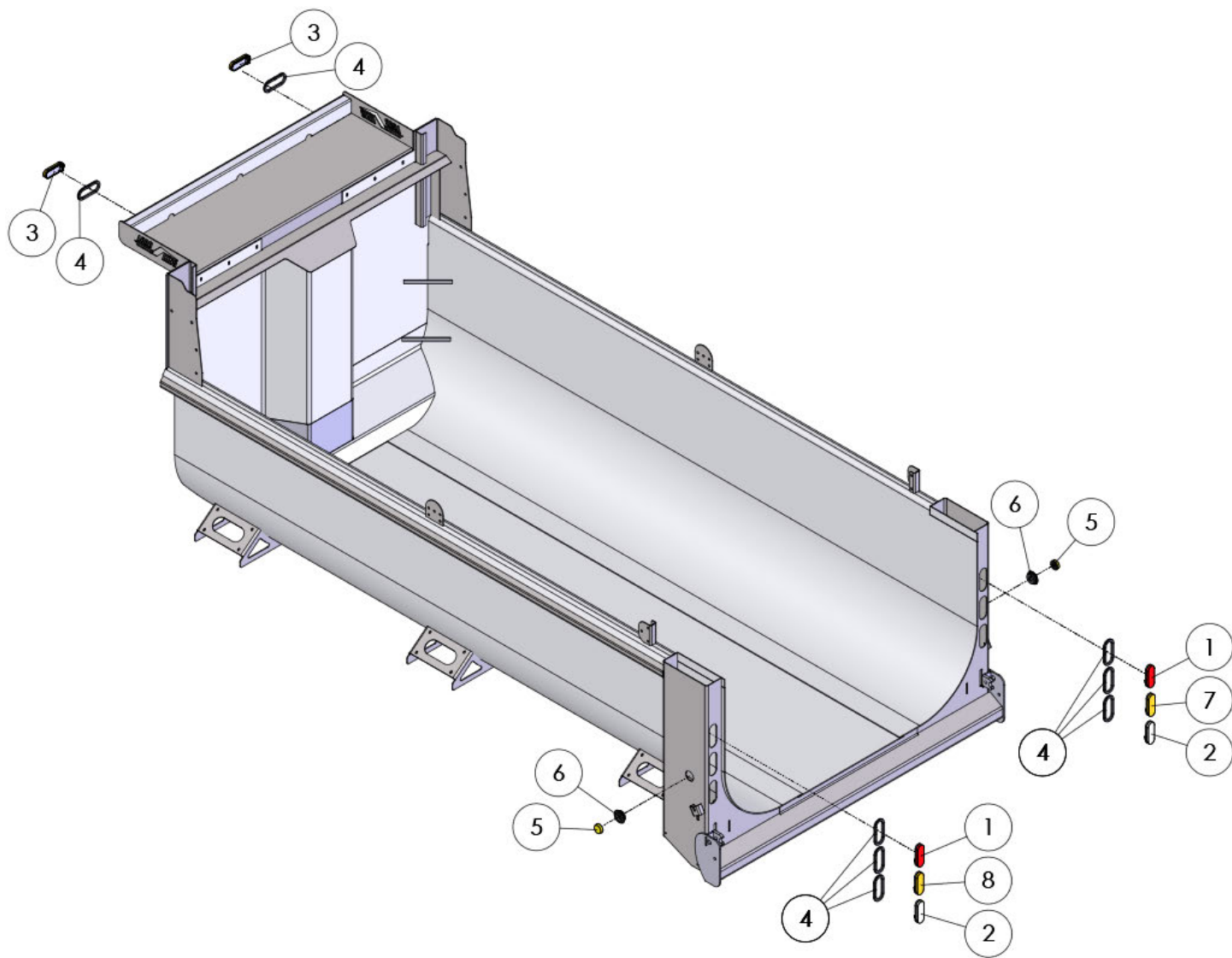
PART NUMBER	DESCRIPTION	QTY.
DMP00745	TAILGATE ASSY - WITH COAL CHUTE - 60" SIDES- 1/4" AR	1

DUMP TRUCK LIGHTING OPTION I



ITEM NO.	PART NUMBER	DESCRIPTION	QTY.
1	DMP00226	STOP TAIL TURN, 6" OVAL # M820R-7	4
2	DMP00358	LED BACK-UP LIGHT #1220C-10	2
3	DMP00357	CAB GUARD, AMBER CLEARANCE 6" OVAL, MARKER #M820A-22	2
4	DMP00227	TAIL LIGHT GROMMET, 6" OVAL #B421-18	8
5	DMP00229	CLEARANCE, MARKER, 2.5" #M197R-AMP	2
6	DMP01850	CLEARANCE, MARKER, 2.5" GROMMET #B143-18	2

DUMP TRUCK LIGHTING OPTION II



ITEM NO.	PART NUMBER	DESCRIPTION	QTY.
1	DMP00226	STOP TAIL TURN, 6" OVAL # M820R-7	2
2	DMP00358	LED BACK-UP LIGHT #1220C-10	2
3	DMP00228	CAB GUARD, AMBER CLEARANCE 6" OVAL, STROBE #M820SA-10	2
4	DMP00227	TAIL LIGHT GROMMET, 6" OVAL #B421-18	8
5	DMP00229	CLEARANCE, MARKER, 2.5" #M197R-AMP	2
6	DMP01850	CLEARANCE, MARKER, 2.5" GROMMET #B143-18	2
7	DMP00355	AMBER, TYPE 1 #860SA-1	1
8	DMP00356	AMBER, TYPE 2 #860SA-2	1



Load King

PO Box 427

Elk Point, South Dakota, USA 57025-0427

Toll Free: (888) 264-5522